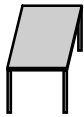
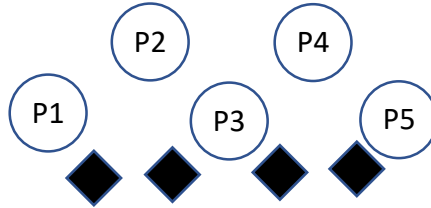
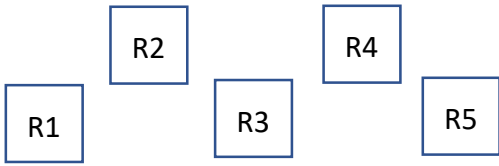


Stage 1



A



B

10 Rifle, 10 Pistol, 4+ Shotgun

Staging: Rifle at A. Shotgun at B. Pistols holstered.

Starting Position: Shooter starts at A with rifle in hands.

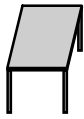
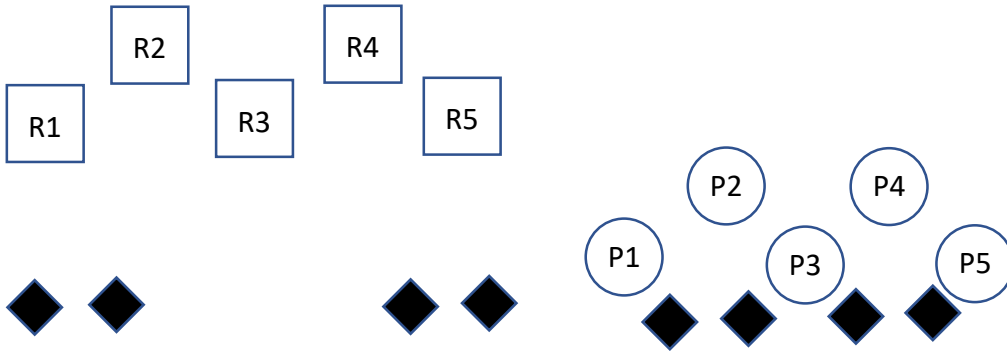
Line: Shut off that judybox.

ATB: With rifle alternate four shots on targets 2 and 4. Then double tap targets 1, 3, and 5, any order. Make rifle safe.

Move to B and with pistols repeat rifle instructions.

With shotgun shoot the four shotgun targets.

Stage 2



A



B

10 Rifle, 10 Pistol, 6+ Shotgun

Staging: Rifle and shotgun at A. Pistols holstered.

Starting Position: Shooter starts at A with hands gripping sides of table.

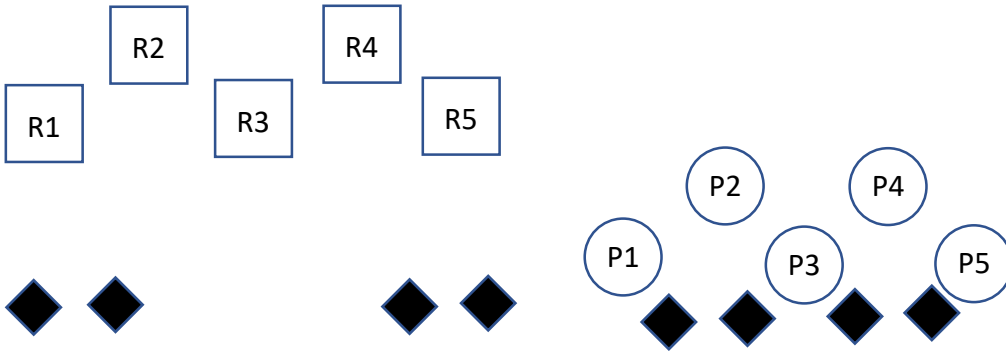
Line: Any two.

ATB: With rifle shoot a 1-3-2-3-1 sweep from either end. Make rifle safe.

With shotgun shoot the four shotgun targets. Safely move to B and shoot any two shotgun targets. Make shotgun safe.

With pistols repeat rifle instructions.

Stage 3



A



B

10 Rifle, 10 Pistol, 4+ Shotgun

Staging: Rifle and shotgun at A. Pistols holstered.

Starting Position: Shooter starts at B in the Texas surrender position.

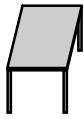
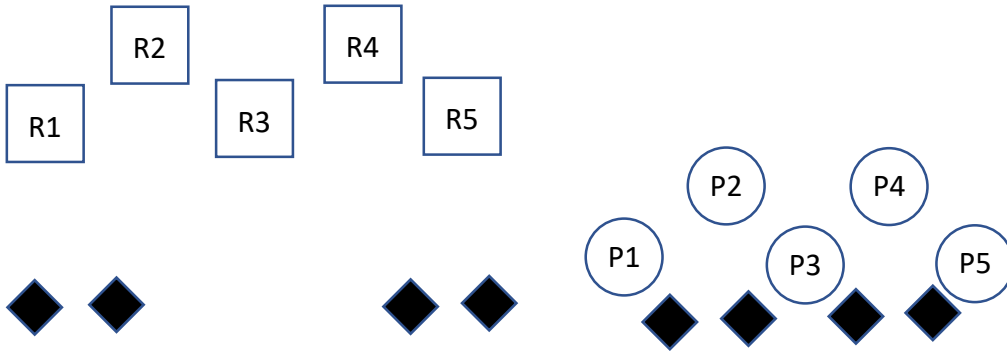
Line: Ya doggone varmint.

ATB: With pistols, starting on the center target P3, shoot a 2-1-2 sweep to the left. Then, again starting on the center target, shoot a 2-1-2 sweep to the right.

Move to A and with rifle repeat pistol instructions. Make rifle safe.

With shotgun shoot the four shotgun targets.

Stage 4



A



B

10 Rifle, 10 Pistol, 4+ Shotgun

Staging: Rifle and shotgun at A. Pistols holstered.

Starting Position: Shooter starts at B with hands at low surrender, shoulder height.

Line: Keep reachin' for the ceiling.

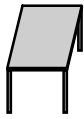
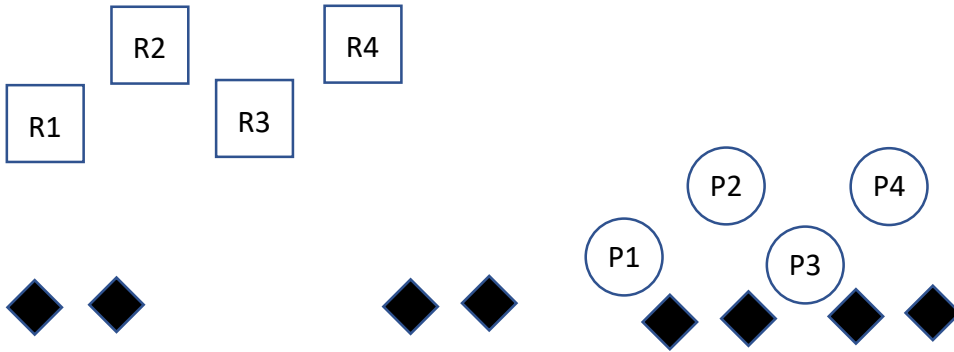
ATB: With pistols shoot P3,2,2,4,4,3,1,1,5,5.

Move to A and with rifle repeat pistol instructions. Make rifle safe.

With shotgun shoot the four shotgun targets.

* T.O. Remove targets R5 and P5 at conclusion of Stage 4.

Stage 5



A



B

10 Rifle, 10 Pistol, 4+ Shotgun

Staging: Rifle and shotgun at A. Pistols holstered.

Starting Position: Shooter starts at A with hands touching hat.

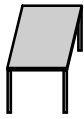
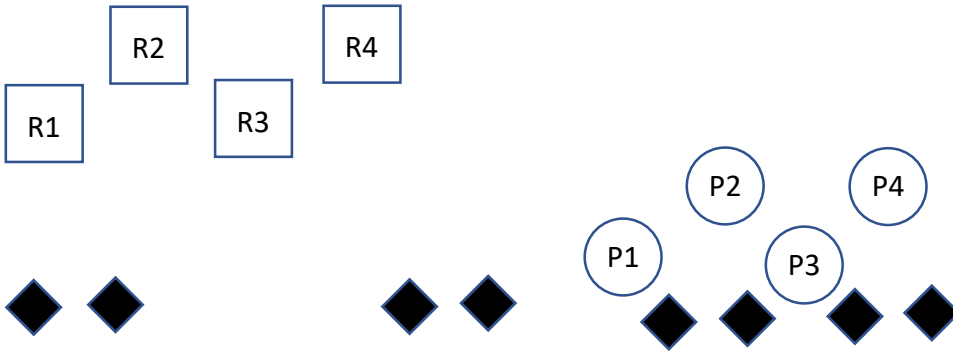
Line: Any two twice.

ATB: With rifle, beginning on target 1, alternate single taps on target 1 with double taps on each of the other three targets. (Example R1,2,2,1,3,3,1,4,4,1). Make rifle safe.

At A, with shotgun shoot any two shotgun targets. Safely move to B and shoot any two shotgun targets. Make shotgun safe.

With pistols repeat rifle instructions.

Stage 6



A



B

10 Rifle, 10 Pistol, 4+ Shotgun

Staging: Rifle and shotgun at A. Pistols holstered.

Starting Position: Shooter starts at A with shotgun in hands.

Line: I'll blast your head off.

ATB: With shotgun shoot the four shotgun targets. Make shotgun safe.

With rifle, starting on either end, shoot a regressive sweep, 4-3-2-1. Make rifle safe.

Move to B and with pistols repeat rifle instructions. Make rifle safe.